

SMD Power Inductors



FEATURES

- ◆ Various high power inductors are superior to be high saturation.
- ◆ Suitable for surface mounting equipment.
- ◆ Excellent solderability and high heat resistance.

APPLICATIONS

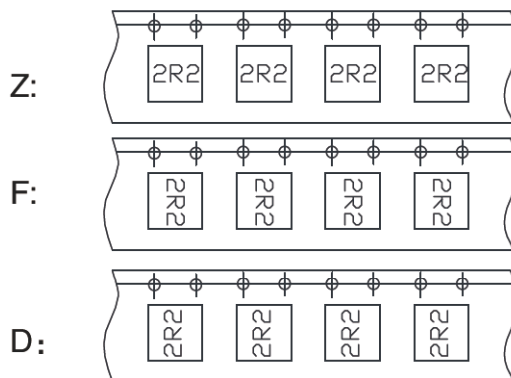
- ◆ Ideally used in Power supply for VTR, OA equipment, Digital camera, LCD television set notebook PC, etc as DC-DC Converter

PRODUCT IDENTIFICATION

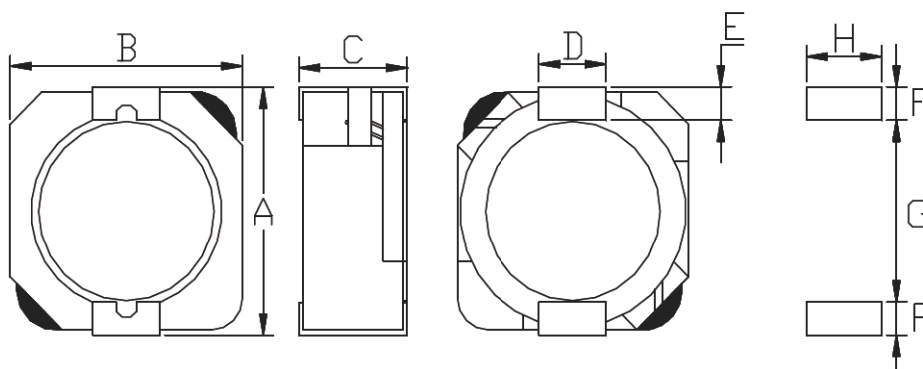
CLH 104R 150 M  
a b c d

- a: Series name
- b: Product dimensions ( a x c )
- c: Inductance Value  
(1R0:1.0uH; 100: 10uH; 101:100uH)
- d: Inductance Tolerance (K:10% ; M:20% ; N:30%)

Lettering direction



SHAPES AND DIMENSIONS



Series	Dimensions(mm)							
	A	B	C Max.	D	E	F Ref.	G Ref.	H Ref.
CLH103R	10.2 ± 0.3	10.0 ± 0.3	3.0	3.0	1.2	1.6	7.3	3.2
CLH104R	10.2 ± 0.3	10.0 ± 0.3	4.0	3.0	1.2	1.6	7.3	3.2
CLH105R	10.2 ± 0.3	10.0 ± 0.3	5.0	3.0	1.2	1.6	7.3	3.2

Note:

Saturation Current:DC current at which the inductance drops approximate 35% from its value without current;  
Heat Rating Current:DC current that causes the temperature rise ( $\Delta t=40^{\circ}\text{C}$ ) from  $25^{\circ}\text{C}$  ambient.



Specifications subject to change without notice.

DONGGUAN CILAISHUN ELECTRONICS CO., LTD.

Tel: 0769-82197801 Fax: 0769-82197829 E-mail: sales@cilaishun.com Web: http://www.cilaishun.com



## SMD Power Inductors

## ELECTRICAL CHARACTERISTICS

Part Number	L ( $\mu$ H)	Test Freq. (KHz)	DCR Max. ( $\Omega$ )	Saturation Current (A)	Heat Rating Current (A)
<b>CLH103 Series</b>					
CLH103R-R80N	0.8	100	0.006	11.20	8.30
CLH103R-1R5N	1.5	100	0.011	8.00	5.80
CLH103R-2R2N	2.2	100	0.017	6.70	5.10
CLH103R-3R3N	3.3	100	0.021	5.56	4.70
CLH103R-4R7N	4.7	100	0.030	4.65	4.00
CLH103R-6R8N	6.8	100	0.035	3.84	3.60
CLH103R-8R2N	8.2	100	0.050	3.54	3.00
CLH103R-100N	10	100	0.059	3.18	2.80
CLH103R-150N	15	100	0.091	2.60	2.05
CLH103R-220N	22	100	0.143	2.16	1.60
CLH103R-330N	33	100	0.202	1.74	1.35
CLH103R-470N	47	100	0.299	1.43	1.20
CLH103R-560N	56	100	0.325	1.36	1.15
CLH103R-680N	68	100	0.429	1.22	0.95
CLH103R-820N	82	100	0.494	1.14	0.80
CLH103R-101M	100	100	0.683	1.02	0.70
CLH103R-121M	120	100	0.754	0.89	0.65
CLH103R-151M	150	100	0.871	0.84	0.51
<b>CLH104 Series</b>					
CLH104R-1R5N	1.5	100	0.008	10.00	6.50
CLH104R-2R7N	2.7	100	0.011	7.50	6.10
CLH104R-3R9N	3.9	100	0.013	6.00	5.50
CLH104R-5R2N	5.2	100	0.022	5.50	5.40
CLH104R-6R8N	6.8	100	0.027	4.80	4.50
CLH104R-100N	10	100	0.035	4.40	3.80
CLH104R-120N	12	100	0.046	3.70	3.40
CLH104R-150N	15	100	0.050	3.60	3.10
CLH104R-180N	18.	100	0.069	3.10	2.60
CLH104R-220N	22	100	0.073	2.90	2.50
CLH104R-270N	27	100	0.088	2.60	2.30
CLH104R-330N	33	100	0.093	2.30	2.20
CLH104R-390N	39	100	0.127	2.20	2.00
CLH104R-470N	47	100	0.128	2.10	1.90
CLH104R-560N	56	100	0.188	1.65	1.50
CLH104R-680N	68	100	0.213	1.50	1.42
CLH104R-820M	82	100	0.283	1.45	1.30
CLH104R-101M	100	100	0.304	1.35	1.25
CLH104R-121M	120	100	0.375	1.20	1.08

**Note:**

Saturation Current:DC current at which the inductance drops approximate 35% from its value without current;  
Heat Rating Current:DC current that causes the temperature rise ( $\Delta t=40^{\circ}\text{C}$ ) from  $25^{\circ}\text{C}$  ambient.



Specifications subject to change without notice.

DONGGUAN CILAISHUN ELECTRONICS CO., LTD.

Tel: 0769-82197801 Fax: 0769-82197829 E-mail: sales@cilaishun.com Web: http://www.cilaishun.com



## SMD Power Inductors

## ELECTRICAL CHARACTERISTICS

Part Number	L ( $\mu$ H)	Test Freq. (KHz)	DCR Max. ( $\Omega$ )	Saturation Current (A)	Heat Rating Current (A)
CLH104R-151M	150	100	0.506	1.15	0.85
CLH104R-181M	180	100	0.568	1.00	0.75
CLH104R-221M	220	100	0.756	0.92	0.70
CLH104R-271M	270	100	0.853	0.84	0.55
CLH104R-331M	330	100	1.090	0.70	0.52
<b>CLH105 Series</b>					
CLH105R-R80N	0.8	100	0.005	9.50	13.50
CLH105R-1R5N	1.5	100	0.006	8.30	10.50
CLH105R-2R2N	2.2	100	0.008	7.50	9.25
CLH105R-3R3N	3.3	100	0.011	6.50	7.80
CLH105R-4R7N	4.7	100	0.013	6.10	6.40
CLH105R-6R8N	6.8	100	0.018	5.40	5.40
CLH105R-8R2N	8.2	100	0.020	5.00	4.85
CLH105R-100N	10	100	0.026	4.50	4.45
CLH105R-120N	12	100	0.033	3.80	4.00
CLH105R-150N	15	100	0.041	3.40	3.60
CLH105R-180N	18	100	0.046	3.10	3.20
CLH105R-220N	22	100	0.061	2.90	2.95
CLH105R-270N	27	100	0.069	2.60	2.70
CLH105R-330N	33	100	0.084	2.50	2.40
CLH105R-390N	39	100	0.106	2.25	2.30
CLH105R-470N	47	100	0.130	2.00	2.00
CLH105R-560N	56	100	0.149	1.90	1.90
CLH105R-680N	68	100	0.201	1.60	1.65
CLH105R-820N	82	100	0.227	1.45	1.50
CLH105R-101M	100	100	0.253	1.35	1.35
CLH105R-121M	120	100	0.303	1.18	1.28
CLH105R-151M	150	100	0.370	1.10	1.12
CLH105R-181M	180	100	0.419	1.00	1.04
CLH105R-221M	220	100	0.500	0.94	0.94
CLH105R-271M	270	100	0.672	0.80	0.84
CLH105R-331M	330	100	0.812	0.73	0.75
CLH105R-391M	390	100	0.953	0.70	0.70
CLH105R-471M	470	100	1.289	0.54	0.60
CLH105R-561M	560	100	1.430	0.52	0.54
CLH105R-681M	680	100	1.599	0.51	0.52
CLH105R-821M	820	100	1.768	0.48	0.50
CLH105R-102M	1000	100	1.989	0.42	0.48

**Note:**

Saturation Current:DC current at which the inductance drops approximate 35% from its value without current;  
Heat Rating Current:DC current that causes the temperature rise ( $\Delta t=40^{\circ}\text{C}$ ) from  $25^{\circ}\text{C}$  ambient.



Specifications subject to change without notice.

DONGGUAN CILAISHUN ELECTRONICS CO., LTD.

Tel: 0769-82197801 Fax: 0769-82197829 E-mail: sales@cilaishun.com Web: http://www.cilaishun.com

