

SMD Power Inductors



FEATURES

- ◆ Low DC resistance and for large current.
- ◆ Closed magnetic circuit crosstalk.
- ◆ Excellent solderability and heat resistance.
- ◆ Available for automatic mounting in tape and reel package.

APPLICATIONS

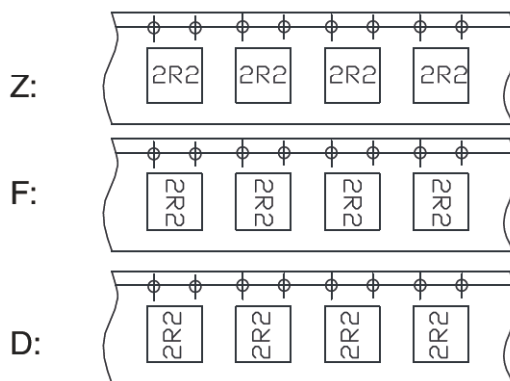
- ◆ Ideally used in Power supply for VTR, OA equipment, Digital camera, LCD television set notebook PC, etc as DC-DC Converter

PRODUCT IDENTIFICATION

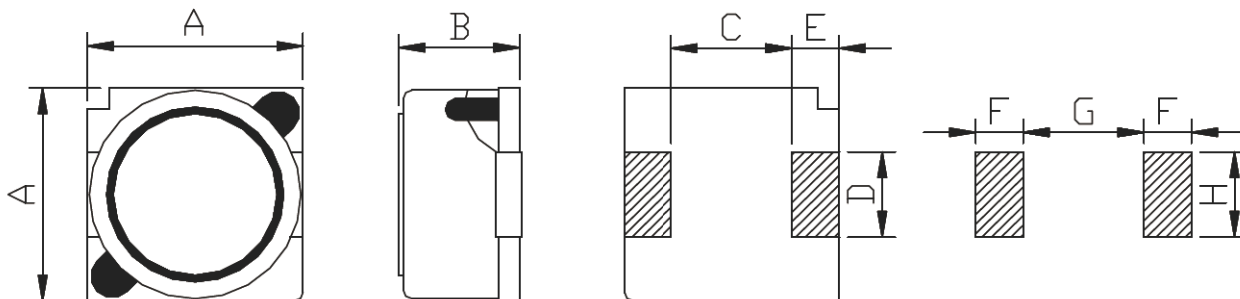
CLB 7055 100 M
 a b c d

- a: Series name
- b: Product dimensions (a x c)
- c: Inductance Value
 (1R0:1.0uH; 100: 10uH; 101:100uH)
- d: Inductance Tolerance (K:10% ; M:20% ; N:30%)

Lettering direction



SHAPES AND DIMENSIONS



Series	Dimensions(mm)							
	A	B Max.	C	D	E	F Ref.	G Ref.	H Ref.
CLB6028	6.0 ± 0.3	3.10	4.0 ± 0.2	2.0 ± 0.2	0.9	1.5	4.0	2.2
CLB6045	6.0 ± 0.3	4.80	4.0 ± 0.2	2.0 ± 0.2	0.9	1.5	4.0	2.2
CLB7032	7.0 ± 0.3	3.50	4.9 ± 0.2	2.0 ± 0.2	0.9	1.5	4.9	2.2
CLB7045	7.0 ± 0.3	4.80	4.9 ± 0.2	2.0 ± 0.2	0.9	1.5	4.9	2.2
CLB7055	7.0 ± 0.3	5.80	4.9 ± 0.2	2.0 ± 0.2	0.9	1.5	4.9	2.2
CLB1045	10.1 ± 0.3	4.80	6.0 ± 0.2	3.0 ± 0.2	2.0	2.5	5.6	3.2
CLB1255	12.5 ± 0.3	5.80	8.0 ± 0.2	3.0 ± 0.2	2.0	2.5	8.6	3.2
CLB1265	12.5 ± 0.3	6.90	8.0 ± 0.2	3.0 ± 0.2	2.0	2.5	8.6	3.2
CLB1275	12.5 ± 0.3	7.90	8.0 ± 0.2	3.0 ± 0.2	2.0	2.5	8.6	3.2

Note:

Rated current: : The DC current at which the inductance decreases to 70% of its initial value or when $\Delta t = 40^{\circ}\text{C}$, whichever is lower ($T_a = 25^{\circ}\text{C}$)



Specifications subject to change without notice.

DONGGUAN CILAISHUN ELECTRONICS CO., LTD.

Tel: 0769-82197801 Fax: 0769-82197829 E-mail: sales@cilaishun.com Web: http://www.cilaishun.com



SMD Power Inductors

ELECTRICAL CHARACTERISTICS

Part Number	L (μ H)	Test Freq. (KHz)	DCR Max. (Ω)	Rated Current (A)
CLB6028 Series				
CLB6028-4R7N	4.7	100	0.034	1.60
CLB6028-6R8N	6.8	100	0.043	1.50
CLB6028-100M	10	100	0.064	1.30
CLB6028-150M	15	100	0.090	1.00
CLB6028-220M	22	100	0.125	0.77
CLB6028-330M	33	100	0.178	0.69
CLB6028-470M	47	100	0.252	0.59
CLB6028-680M	68	100	0.348	0.50
CLB6028-101M	100	100	0.516	0.42
CLB6028-151M	150	100	0.780	0.34
CLB6028-221M	220	100	1.176	0.26
CLB6045 Series				
CLB6045-1R0N	1.0	100	0.023	2.70
CLB6045-1R5N	1.5	100	0.026	2.30
CLB6045-2R2N	2.2	100	0.028	1.90
CLB6045-3R3N	3.3	100	0.035	1.80
CLB6045-4R7N	4.7	100	0.040	1.40
CLB6045-6R8N	6.8	100	0.045	1.20
CLB6045-100M	10	100	0.060	1.00
CLB6045-150M	15	100	0.070	0.80
CLB6045-220M	22	100	0.110	0.65
CLB6045-330M	33	100	0.165	0.55
CLB6045-470M	47	100	0.210	0.45
CLB6045-680M	68	100	0.285	0.37
CLB6045-101M	100	100	0.420	0.30
CLB6045-151M	150	100	0.630	0.25
CLB6045-181M	180	100	0.720	0.22
CLB6045-221M	220	100	0.820	0.20
CLB6045-271M	270	100	1.100	0.18
CLB6045-331M	330	100	1.200	0.17
CLB6045-391M	390	100	1.700	0.16
CLB6045-471M	470	100	1.900	0.14
CLB6045-561M	560	100	2.150	0.13
CLB6045-681M	680	100	3.300	0.12
CLB6045-821M	820	100	3.650	0.11

Note:

Rated current: : The DC current at which the inductance decreases to 70% of its initial value or when $\Delta t = 40^{\circ}\text{C}$, whichever is lower ($T_a = 25^{\circ}\text{C}$)



Specifications subject to change without notice.

DONGGUAN CILAISHUN ELECTRONICS CO., LTD.

Tel: 0769-82197801 Fax: 0769-82197829 E-mail: sales@cilaishun.com Web: http://www.cilaishun.com



SMD Power Inductors

ELECTRICAL CHARACTERISTICS

Part Number	L (μ H)	Test Freq. (KHz)	DCR Max. (Ω)	Rated Current (A)
CLB7032 Series				
CLB7032-3R3N	3.3	100	0.028	1.90
CLB7032-4R7N	4.7	100	0.044	1.70
CLB7032-6R8N	6.8	100	0.050	1.60
CLB7032-100M	10	100	0.064	1.40
CLB7032-150M	15	100	0.090	1.10
CLB7032-220M	22	100	0.132	0.96
CLB7032-330M	33	100	0.192	0.75
CLB7032-470M	47	100	0.288	0.67
CLB7032-680M	68	100	0.372	0.59
CLB7032-101M	100	100	0.540	0.45
CLB7032-151M	150	100	0.780	0.37
CLB7032-221M	220	100	1.260	0.29
CLB7032-331M	330	100	2.000	0.22
CLB7032-471M	470	100	2.460	0.20
CLB7032-681M	680	100	3.780	0.16
CLB7032-102M	1000	100	5.730	0.13
CLB7045 Series				
CLB7045-3R3N	3.3	100	0.024	2.50
CLB7045-4R7N	4.7	100	0.036	2.00
CLB7045-6R8N	6.8	100	0.047	1.70
CLB7045-100M	10	100	0.056	1.30
CLB7045-150M	15	100	0.063	1.10
CLB7045-220M	22	100	0.074	0.90
CLB7045-330M	33	100	0.116	0.82
CLB7045-470M	47	100	0.150	0.75
CLB7045-680M	68	100	0.210	0.60
CLB7045-101M	100	100	0.300	0.50
CLB7045-151M	150	100	0.408	0.40
CLB7045-221M	220	100	0.624	0.33
CLB7045-331M	330	100	0.888	0.25
CLB7045-471M	470	100	1.260	0.22
CLB7045-681M	680	100	1.776	0.20
CLB7045-102M	1000	100	2.736	0.14
CLB7055 Series				
CLB7055-1R5N	1.5	100	0.023	6.20

Note:

Rated current: : The DC current at which the inductance decreases to 70% of its initial value or when $\Delta t = 40^{\circ}\text{C}$, whichever is lower ($T_a = 25^{\circ}\text{C}$)



Specifications subject to change without notice.

DONGGUAN CILAISHUN ELECTRONICS CO., LTD.

Tel: 0769-82197801 Fax: 0769-82197829 E-mail: sales@cilaishun.com Web: http://www.cilaishun.com



SMD Power Inductors

ELECTRICAL CHARACTERISTICS

Part Number	L (μ H)	Test Freq. (KHz)	DCR Max. (Ω)	Rated Current (A)
CLB7055-2R2N	2.2	100	0.029	5.30
CLB7055-3R3N	3.3	100	0.032	4.30
CLB7055-3R9N	3.9	100	0.034	4.00
CLB7055-4R7N	4.7	100	0.037	3.60
CLB7055-6R8N	6.8	100	0.045	3.00
CLB7055-100M	10	100	0.051	2.60
CLB7055-150M	15	100	0.067	2.10
CLB7055-180M	18	100	0.074	1.90
CLB7055-220M	22	100	0.084	1.70
CLB7055-330M	33	100	0.114	1.40
CLB7055-470M	47	100	0.169	1.20
CLB7055-680M	68	100	0.260	0.90
CLB7055-101M	100	100	0.381	0.80
CLB1045 Series				
CLB1045-3R3N	3.3	1.00	0.020	4.90
CLB1045-5R6N	5.6	1.00	0.027	3.80
CLB1045-100M	10	1.00	0.044	3.00
CLB1045-150M	15	1.00	0.057	2.40
CLB1045-220M	22	1.00	0.071	2.10
CLB1045-330M	33	1.00	0.099	1.60
CLB1045-470M	47	1.00	0.120	1.40
CLB1045-680M	68	1.00	0.168	1.20
CLB1045-101M	100	1.00	0.240	1.00
CLB1045-151M	150	1.00	0.420	0.79
CLB1045-221M	220	1.00	0.564	0.65
CLB1045-331M	330	1.00	0.816	0.54
CLB1045-471M	470	1.00	1.236	0.47
CLB1045-681M	680	1.00	1.920	0.38
CLB1045-102M	1000	1.00	3.360	0.32
CLB1045-152M	1500	1.00	4.080	0.22
CLB1255 Series				
CLB1255-6R0N	6.0	1.00	0.020	3.60
CLB1255-100M	10	1.00	0.026	3.40
CLB1255-150M	15	1.00	0.032	2.80
CLB1255-220M	22	1.00	0.041	2.30
CLB1255-330M	33	1.00	0.050	1.90

Note:

Rated current: : The DC current at which the inductance decreases to 70% of its initial value or when $\Delta t = 40^{\circ}\text{C}$, whichever is lower ($T_a = 25^{\circ}\text{C}$)



Specifications subject to change without notice.

DONGGUAN CILAISHUN ELECTRONICS CO., LTD.

Tel: 0769-82197801 Fax: 0769-82197829 E-mail: sales@cilaishun.com Web: http://www.cilaishun.com



SMD Power Inductors

ELECTRICAL CHARACTERISTICS

Part Number	L (μ H)	Test Freq. (KHz)	DCR Max. (Ω)	Rated Current (A)
CLB1255-470M	47	1.00	0.075	1.60
CLB1255-680M	68	1.00	0.100	1.30
CLB1255-101M	100	1.00	0.141	1.10
CLB1255-151M	150	1.00	0.228	0.88
CLB1255-221M	220	1.00	0.324	0.72
CLB1255-331M	330	1.00	0.492	0.59
CLB1255-471M	470	1.00	0.624	0.49
CLB1255-681M	680	1.00	0.912	0.43
CLB1265 Series				
CLB1265-2R0N	2.0	1.00	0.015	10.00
CLB1265-100M	10	1.00	0.025	5.00
CLB1265-150M	15	1.00	0.029	4.20
CLB1265-220M	22	1.00	0.038	3.50
CLB1265-330M	33	1.00	0.049	2.80
CLB1265-470M	47	1.00	0.070	2.40
CLB1265-680M	68	1.00	0.095	2.00
CLB1265-101M	100	1.00	0.148	1.60
CLB1275 Series				
CLB1275-1R2N	1.2	1.00	0.009	13.00
CLB1275-2R7N	2.7	1.00	0.012	10.00
CLB1275-6R8N	6.8	1.00	0.016	7.20
CLB1275-100M	10	1.00	0.019	5.50
CLB1275-220M	22	1.00	0.032	4.00
CLB1275-330M	33	1.00	0.048	3.20
CLB1275-470M	47	1.00	0.064	2.70
CLB1275-680M	68	1.00	0.094	2.00
CLB1275-101M	100	1.00	0.150	1.90
CLB1275-221M	220	1.00	0.310	1.30

Note:

Rated current: : The DC current at which the inductance decreases to 70% of its initial value or when $\Delta t = 40^{\circ}\text{C}$, whichever is lower ($T_a = 25^{\circ}\text{C}$)



Specifications subject to change without notice.

DONGGUAN CILAISHUN ELECTRONICS CO., LTD.

Tel: 0769-82197801 Fax: 0769-82197829 E-mail: sales@cilaishun.com Web: http://www.cilaishun.com

